

LOGSTOR BM

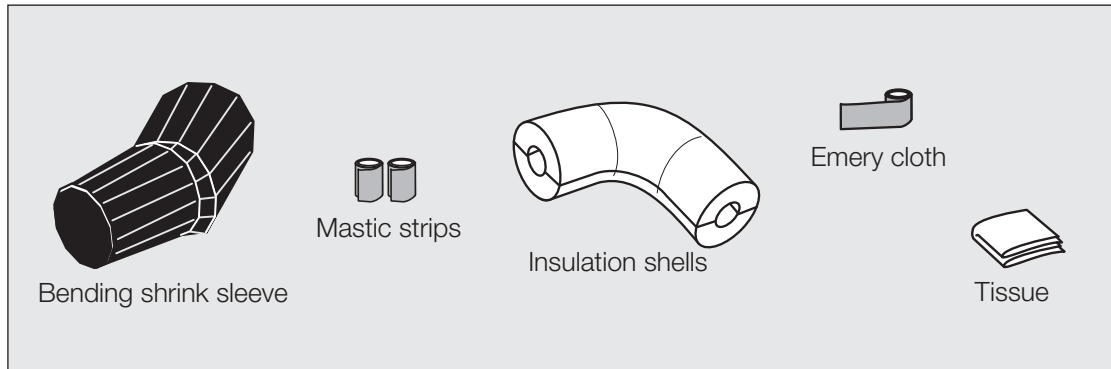
Installation Instructions - Industry



Elbow joint, single sealed

Fitting Instructions

1/2



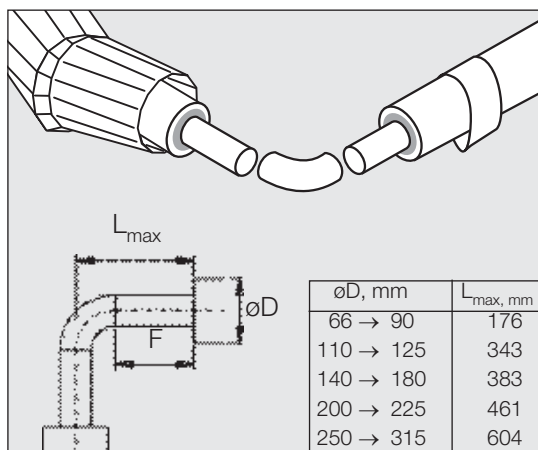
Important:

It is only necessary to pull the sleeve if shrinking across the centre has been carried out too quickly. Fig. 10.

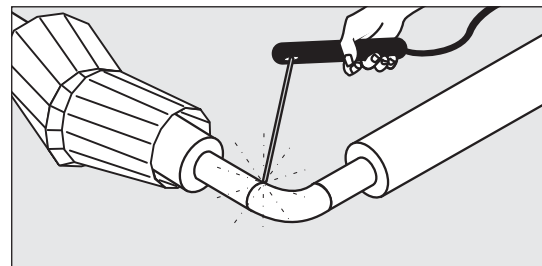
Never apply heat to creases, if any, since the sleeve material will be discoloured and the surface will crack.

Never apply heat underneath the sleeve at the ends, since this may damage the sleeve permanently.

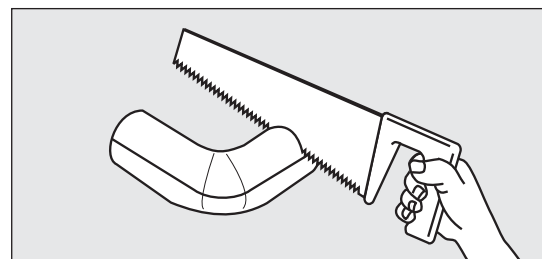
Pockets of air under the sleeve can be removed by bending a piece of welding wire into U-shape and pushing it underneath the sleeve while it is still warm. Use burner head dia. 51 mm for sleeves up to dia. 200 mm. For larger sleeves use burner head dia. 63 mm.



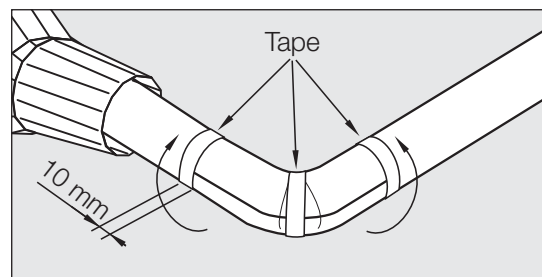
1. Place the two pipe ends at the correct angle. Pull the shrink sleeve onto the pipe (F = max. 150 mm).



2. Weld the steel pipes. Pressure test.



3. Cut the insulation shells to make them fit over the steel pipes.



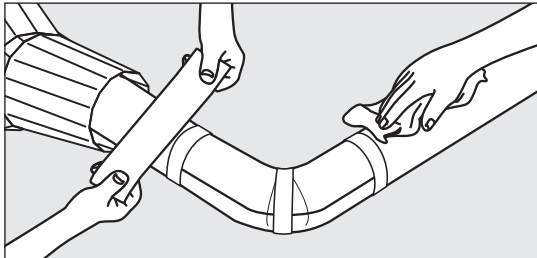
4. Fasten the insulation shells with tape. The tape overlap on the jacket is max. 10 mm.

BM

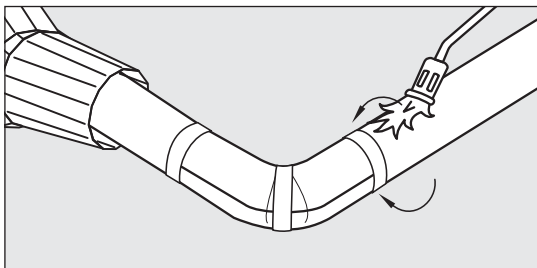
Elbow joint, single sealed

Fitting Instructions

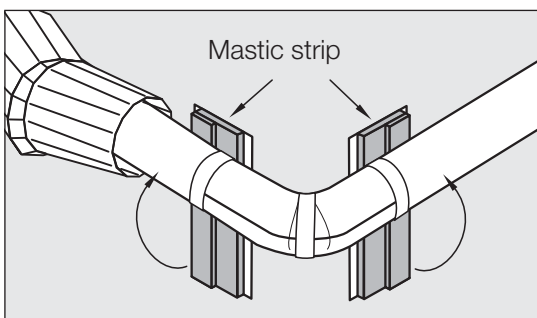
2/2



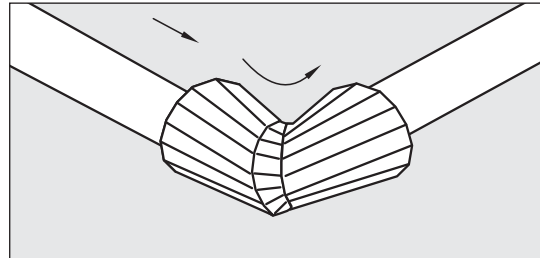
5. Clean the jacket with tissue. Activate the jacket pipes with ABRASIVE CLOTH at least 80 mm from both jacket ends. Use ABRASIVE CLOTH to remove sharp edges or burrs on the jacket pipes.



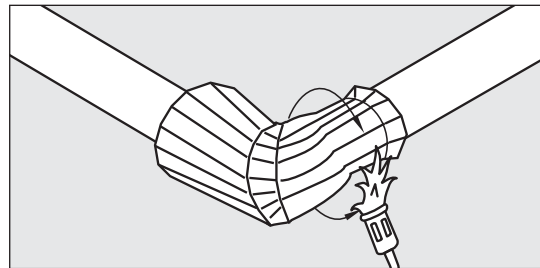
6. Activate the jacket pipes at least 150 mm from both jacket ends until the surface has a matt, silky look.



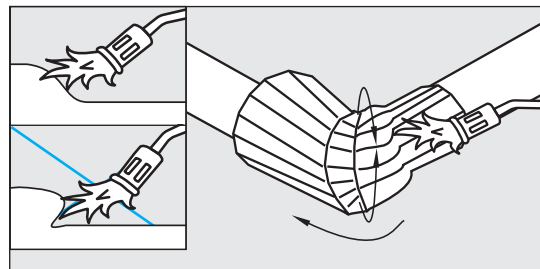
7. Pull the paper off the adhesive side of the mastic strip. Place the adhesive side face down on the jacket pipe furthest from the insulation shells.



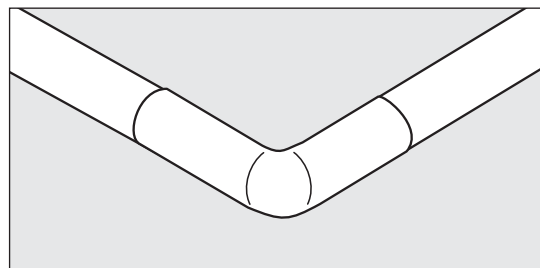
8. Remove the packing from the shrink sleeve. Check that it is CLEAN and DRY, inside and out. Centre the shrink sleeve on the elbow.



9. Start shrinking at the top of the shrink sleeve 5-8 cm from the end. During shrinking it is possible to adjust the position of the shrink sleeve.



10. Shrink from one end towards the other. Continue moving the flame until all expansion marks have vanished.



11. The joint is now complete.

Contact details

Denmark

LOGSTOR Denmark Holding ApS
Danmarksvej 11 | DK-9670 Løgstør

T: +45 99 66 10 00
E: logstor@kingspan.com



For the product offering in other markets please contact your local sales representative or visit www.logstor.com

Care has been taken to ensure that the contents of this publication are accurate, but Kingspan Limited and its subsidiary companies do not accept responsibility for errors or for information that is found to be misleading. Suggestions for, or description of, the end use or application of products or methods of working are for information only and Kingspan Limited and its subsidiaries accept no liability in respect thereof.

To ensure you are viewing the most recent and accurate product information, please scan the QR code directly above.

